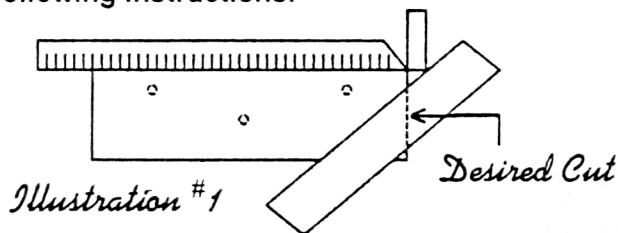


Operation & Parts List

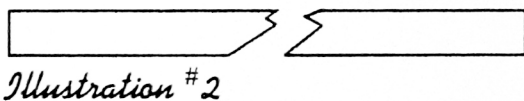
**For use only with regular face or cored brick.
(Will not cut hard fired brick pavers)**

1. Assemble components according to parts list on the back.
2. Turn the height adjustment handle (item #16) until the top knife is approximately 1/4" above the material to be split.
3. Hold handle (item #2) in a two o'clock position and turn height adjustment handle (item #16) counter-clock wise until the top knife rests firmly on the material. The splitter is now adjusted properly. Whenever the material fractures first at the bottom, continue the downward stroke of the handle until the material is split. If the split does not occur at the extreme of the downward stroke, raise the handle and adjust the top knife downward slightly.
4. For rock-facing the ends of brick or etc., adjust the splitter in the same manner as previously explained. Allow approximately 3/8" to 1/4" of the end of the unit to be rock-faced to protrude past the knife. The amount to be taken off to give a rock-face appearance depends upon the height and density of the material.

For 45 degree splitting across the bed of materials, refer to the following instructions.

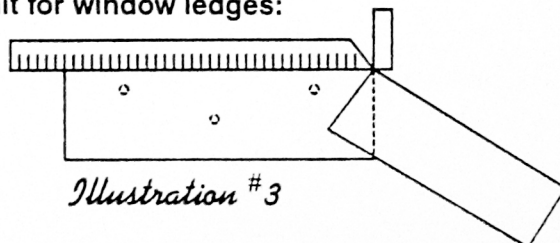


- a. Place the unit to be mitered with the face against the up-right post and positioned with the desired line to cut directly with the knives. (Illustration #1)



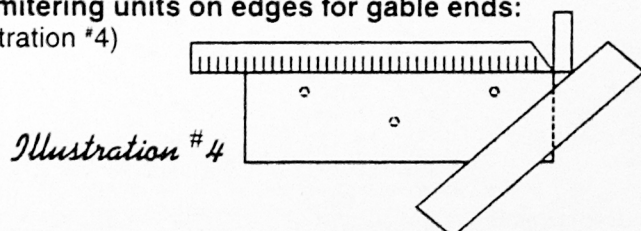
- b. Any protrusion on the heel of the split that might interfere with a uniform fit may be trimmed away (Illustration #2)

Mitering unit for window ledges:

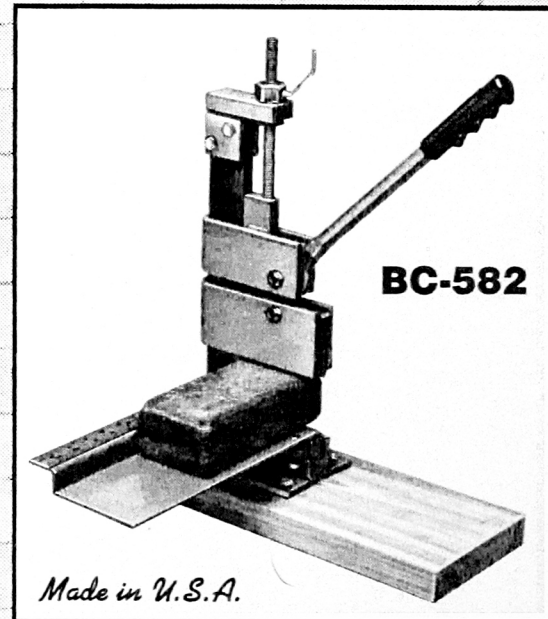


- a. Hold the unit with the face toward the post and at the desired angle. (Illustration #3)

For mitering units on edges for gable ends:
(Illustration #4)



CAUTION: Be safe, always wear safety goggles!



Mini Brick Splitter

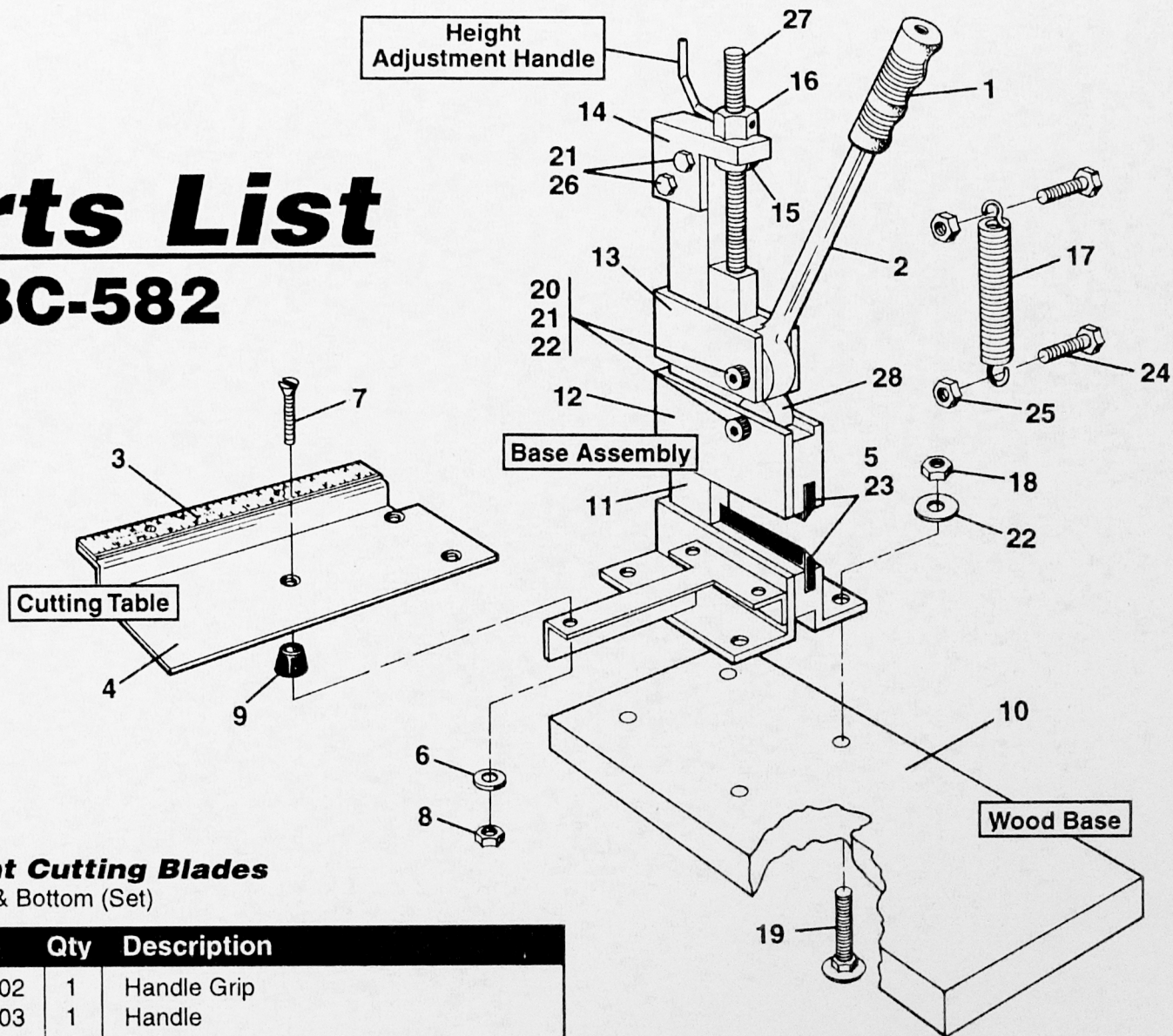
A handy portable splitter that can shave every brick to fit!

- Cam and lever action multiply arm strength by 100
- Blades are 4-1/4" wide and opening 5" high, so it cuts most bricks now in use
- Cuts as little as 1/4" off edge of bricks
- Built-in square and 12" rule makes for accurate cuts
- Only 39 lbs. and 26" high
- Ruggedly built and maintenance free



Parts List

BC-582



Replacement Cutting Blades

BC-582-01....Top & Bottom (Set)

Item	Part No	Qty	Description
1	BC-582-02	1	Handle Grip
2	BC-582-03	1	Handle
3	BC-582-04	1	Ruler
4	BC-582-05	1	Cutting Table
5	BC-582-01	2	Blades (Top & Bottom)
6	BC-582-06	3	1/4" Flat Washer PLT
7	BC-582-07	3	1/4"-20x1-1/2" FS HD Machine Screw
8	BC-582-08	3	1/4"-20 Hex Nut
9	BC-582-09	3	Rubber Cushion
10	BC-582-10	1	Wood Base
11	BC-582-11	1	Base Assembly
12	BC-582-12	1	Upper Blade Holder
13	BC-582-13	1	Screw Block Assembly
14	BC-582-14	1	Draw Bracket
15	BC-582-15	1	Tension Swivel
16	BC-582-16	1	Tension Nut Handle Assembly
17	BC-582-17	1	Extension Spring
18	BC-582-18	4	5/16"-18 Hex Nut
19	BC-582-19	4	5/16"x2-1/4" O.H. Carriage Bolt
20	BC-582-20	2	1/2" Dia. x1-1/2" Shoulder Bolt
21	BC-582-21	4	3/8"-16 Hex Locknut
22	BC-582-22	6	3/8"x7/8" Flat Washer
23	BC-582-23	4	3/8"-16x3/8" Set Screw
24	BC-582-24	2	3/8"-16x1" Cap Screw
25	BC-582-25	2	3/8"-16 Hex Nut
26	BC-582-26	2	3/8"-16x2" Cap Screw
27	BC-582-27	1	Height Adjustment Screw
28	BC-582-28	1	Roller

Assembly Instructions

1. Attach wood base (Item #10) to base assembly (Item #11) with (4) 2-1/4" carriage bolts (4) 3/8" flat washers (4) 5/16" hex nuts
2. Attach cutting table (Item #4) to base assembly with (3) 1-1/2" machine screws (3) rubber cushions (3) 1/4" flat washers (3) 1/4" hex nuts

Remember:

Keep all moving parts free of dirt and lubricated with a thin film of oil.

Always keep cutting table adjusted approximately level with cutting edge of bottom knife.



KRAFT TOOL CO.

8325 Hedge Lane Terrace, Shawnee, Kansas 66227

(913) 422-4848 • FAX (913) 422-1018 • www.krafttool.com

© 1995, KRAFT TOOL CO.